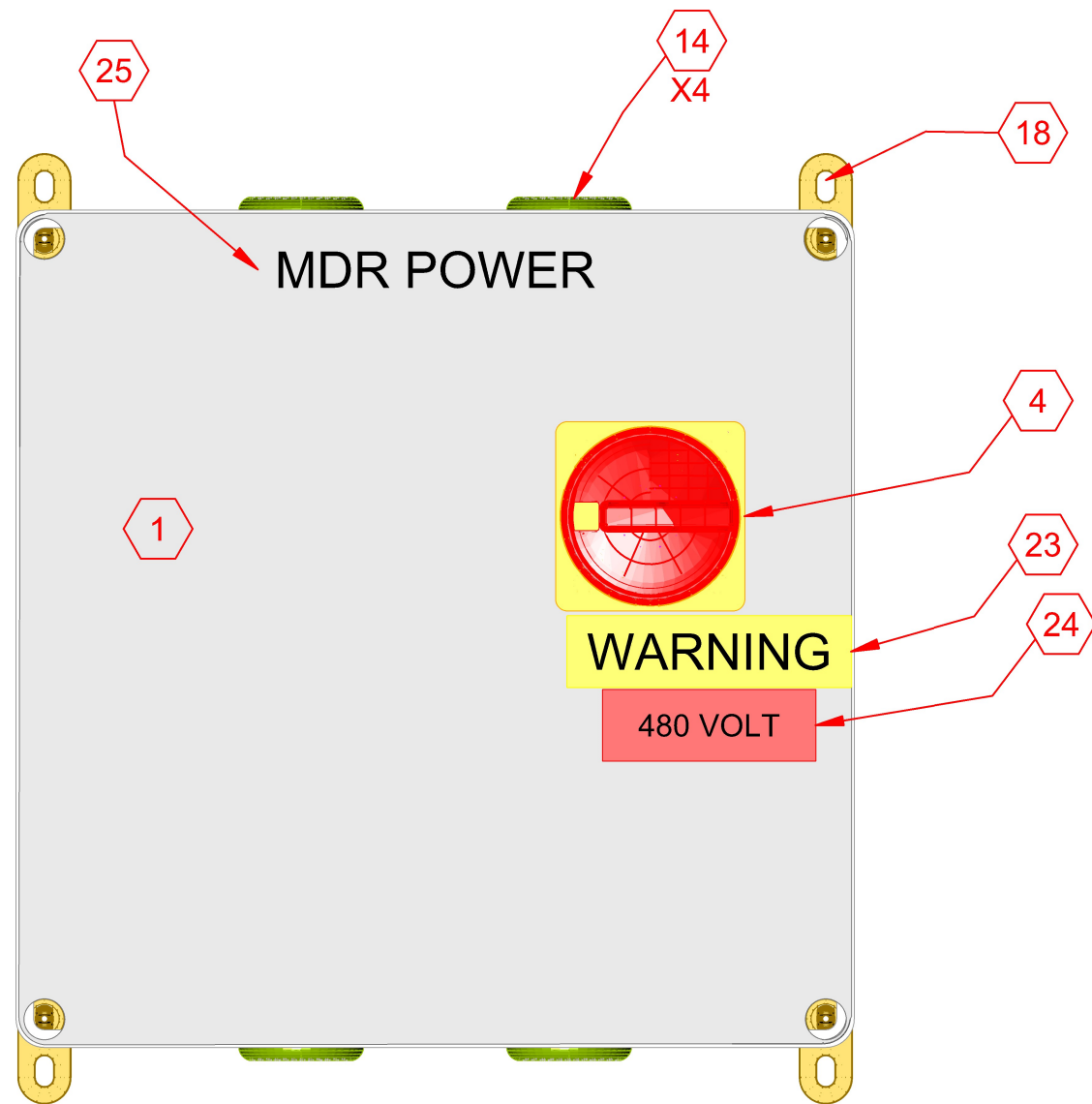


| DRAWING REFERENCE | |
|-------------------|---------------------------------|
| SHEET | DESCRIPTION |
| 1 OF 7 | OVERALL ASSEMBLY AND DIMENSIONS |
| 2 OF 7 | EXTERIOR COMPONENT DETAIL |
| 3 OF 7 | SUBPLATE COMPONENT DETAIL |
| 4 OF 7 | BOM |
| 5 OF 7 | WIRING DIAGRAM |
| 6 OF 7 | SUBPLATE DRILL DETAIL |
| 7 OF 7 | ENCLOSURE DRILL DETAIL |



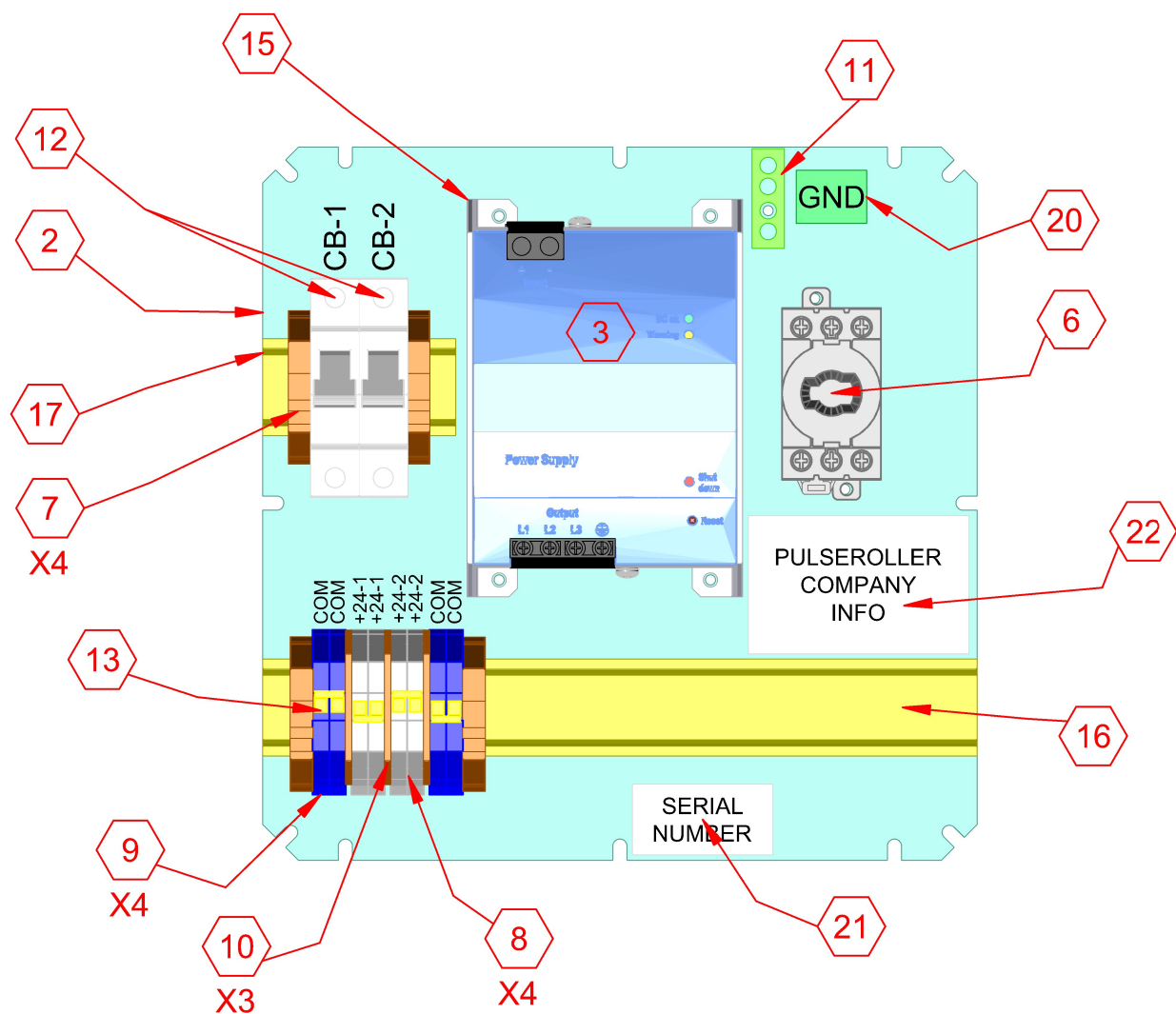
| | | | | | | |
|------|------|-------------|---|---|--|--|
| REV. | DATE | DESCRIPTION | ✓ | THE INFORMATION CONTAINED HEREIN IS CONFIDENTIAL, IS SUBMITTED IN CONFIDENCE, AND IS PROPRIETARY INFORMATION OF PULSEROLLER AND SHALL BE USED ONLY IN CONJUNCTION WITH AND PERFORMANCE OF THE CONTRACT OF WHICH THIS DRAWING FORMS A PART, AND SHALL NOT, WITHOUT PULSEROLLER PRIOR WRITTEN APPROVAL, BE REPRODUCED OR IN ANY OTHER WAY USED IN WHOLE OR IN PART BY OTHERS. | DATE: 26-APR-2020 DESIGNED BY: JPK CHECKED BY: SCALE: NONE SHEET: 1 OF 7 | TITLE: OVERALL ASSEMBLY PART NUMBER IN-P-DIS-PS-40-480 FOR: MDR POWER ASSEMBLIES PULSEROLLER STANDARDS DWG. NO: IN-P-DIS-PS-40-480 REV: |
|------|------|-------------|---|---|--|--|



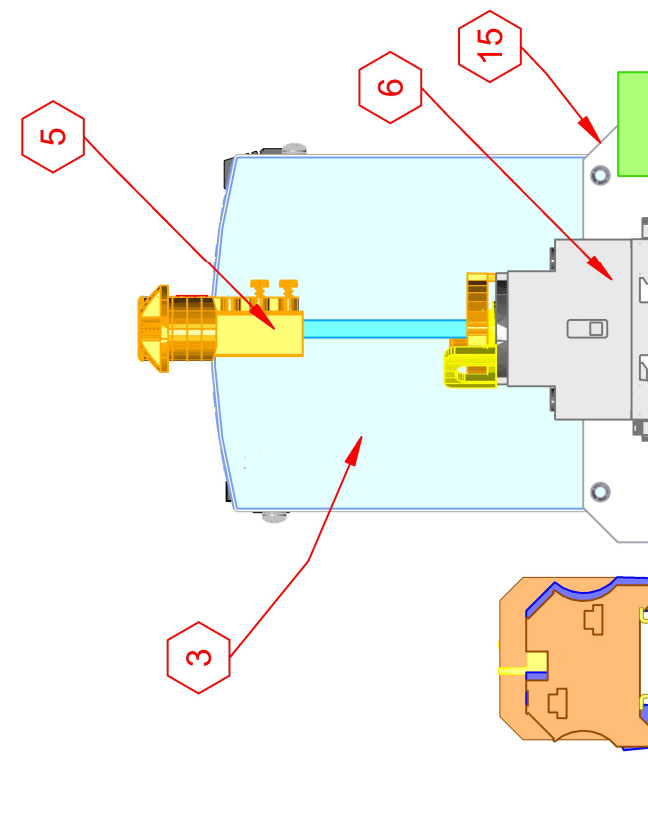
XX INDICATES REF ON BOM
IN-P-DIS-PS-40-480 ON
SHEET 4 OF 7



| | | | | | | |
|------|------|-------------|---|---|--|--|
| REV. | DATE | DESCRIPTION | ✓ | THE INFORMATION CONTAINED HEREIN IS CONFIDENTIAL, IS SUBMITTED IN CONFIDENCE, AND IS PROPRIETARY INFORMATION OF PULSEROLLER AND SHALL BE USED ONLY IN CONJUNCTION WITH AND PERFORMANCE OF THE CONTRACT OF WHICH THIS DRAWING FORMS A PART, AND SHALL NOT, WITHOUT PULSEROLLER PRIOR WRITTEN APPROVAL, BE REPRODUCED OR IN ANY OTHER WAY USED IN WHOLE OR IN PART BY OTHERS. | DATE: 26-APR-2020 DESIGNED BY: JPK CHECKED BY: SCALE: NONE SHEET: 2 OF 7 | TITLE: EXTERIOR COMPONENTS FRONT VIEW PART NUMBER IN-P-DIS-PS-40-480 FOR: MDR POWER ASSEMBLIES PULSEROLLER STANDARDS DWG. NO: IN-P-DIS-PS-40-480 REV: |
|------|------|-------------|---|---|--|--|



SUBPLATE FRONT VIEW



SUBPLATE RIGHT SIDE VIEW

XX INDICATES REF ON BOM IN-P-DIS-PS-40-480 ON SHEET 4 OF 7



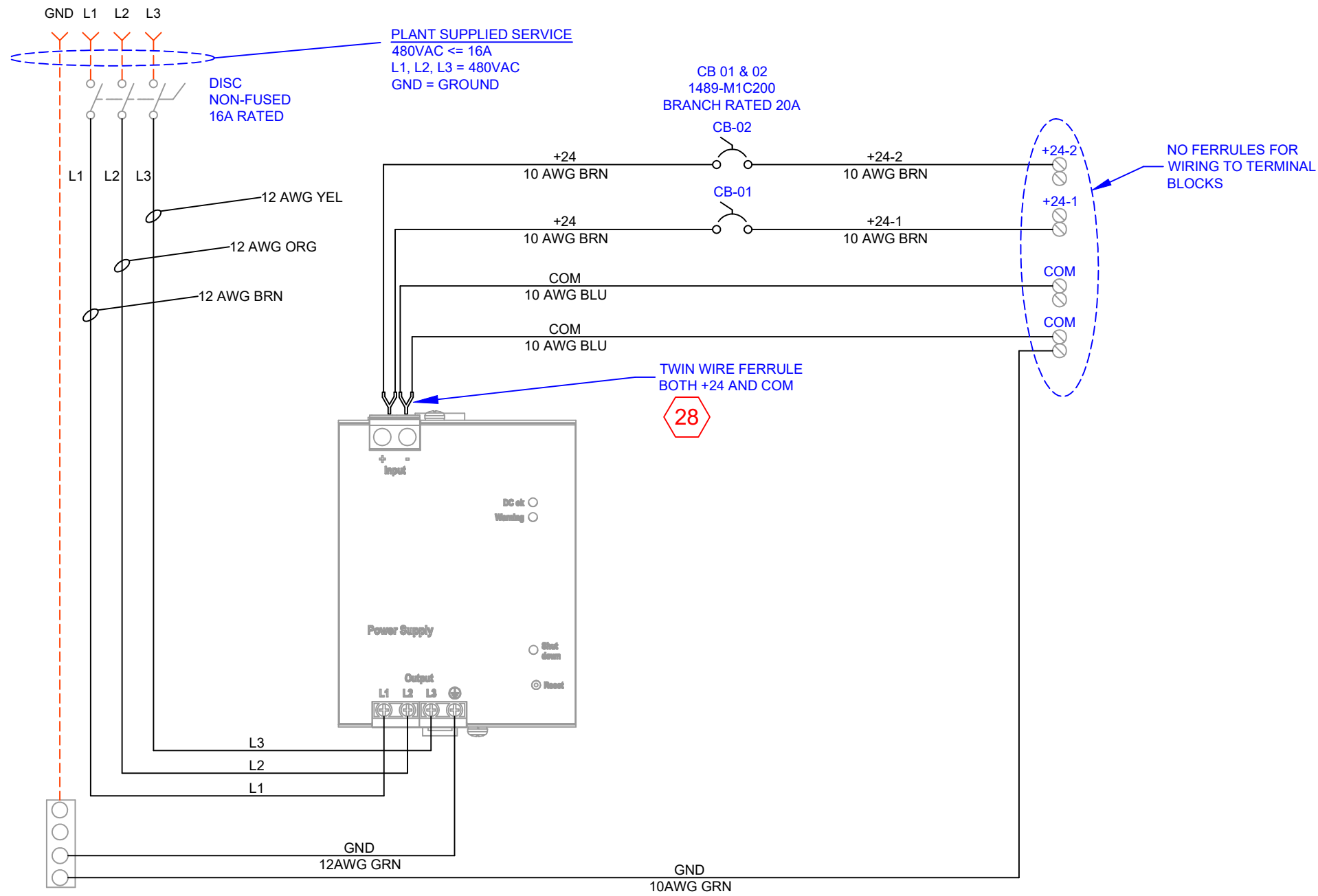
| | | | | | | |
|------|------|-------------|---|---|--|---|
| REV. | DATE | DESCRIPTION | ✓ | THE INFORMATION CONTAINED HEREIN IS CONFIDENTIAL, IS SUBMITTED IN CONFIDENCE, AND IS PROPRIETARY INFORMATION OF PULSEROLLER AND SHALL BE USED ONLY IN CONJUNCTION WITH AND PERFORMANCE OF THE CONTRACT OF WHICH THIS DRAWING FORMS A PART, AND SHALL NOT, WITHOUT PULSEROLLER PRIOR WRITTEN APPROVAL, BE REPRODUCED OR IN ANY OTHER WAY USED IN WHOLE OR IN PART BY OTHERS. | DATE: 26-APR-2020 DESIGNED BY: JPK CHECKED BY: SCALE: NONE SHEET: 3 OF 7 | TITLE: SUBPANEL COMPONENT LAYOUT PART NUMBER IN-P-DIS-PS-40-480 FOR: MDR POWER ASSEMBLIES PULSEROLLER STANDARDS DWG. NO: IN-P-DIS-PS-40-480 REV: |
|------|------|-------------|---|---|--|---|

BOM: IN-P-DIS-PS-40-480

| REF # | QUANTITY | MANUFACTURER | PART NUMBER | DESCRIPTION |
|-------|----------|----------------|---------------|---|
| 1 | 1 | Hoffman | Q303018PCICC | Enclosure, (11.3 in. x 11.3 in. x 7.09 in.), Clear Cover |
| 2 | 1 | Hoffman | Q3030PI | Enclosure Mounting Plate, Metal |
| 3 | 1 | Puls | XT40.242 | 480VAC TO 24VDC 40 Amp Power Supply |
| 4 | 1 | Allen-Bradley | 194EHE4N175 | Rotary Switch Handle |
| 5 | 1 | Allen-Bradley | 194L-G3393 | Shaft Adapter |
| 6 | 1 | Allen-Bradley | 194E-A16-1753 | Rotary Load Switch |
| 7 | 4 | Allen-Bradley | 1492-EAJ35 | End Anchor |
| 8 | 4 | Allen-Bradley | 1492-J4 | Terminal Block, 30A, Grey |
| 9 | 4 | Allen-Bradley | 1492-J4B | Terminal Block, 30A, Blue |
| 10 | 3 | Allen-Bradley | 1492-EBJ16 | Partition Barrier |
| 11 | 1 | Square D | PK3GTA1 | 3 Lug Ground Bar |
| 12 | 2 | Allen Bradley | 1489-M1C200 | Miniature Circuit Breaker 20 Amp, C, 1 Pole |
| 13 | 4 | Allen Bradley | 1492-CJJ6-10 | Center Jumpers for J4 Terminal Blocks |
| 14 | 4 | Midget Lourve | 15LDSTMB | 1.5" LD 6 TAB All Alum Vent |
| 15 | 1 | PULS | ZM2.WALL | Wall / Panel mount bracket for XT40.242, QS40.241, QS20.241 |
| 16 | 1 | - | - | DIN Rail, 35mm Standard, 300 mm length |
| 17 | 1 | - | - | DIN Rail, 35mm Standard, 70 mm length |
| 18 | 1 | Hoffman | QIMFK | Mounting Brackets for Q-Line Enclosure, Set of 4 |
| 19 | | | | |
| 20 | 1 | Pulseroller | - | Label, GND |
| 21 | 1 | Pulseroller | - | Label, Serial Number |
| 22 | 1 | Pulseroller | - | Label, Pulseroller Company Info |
| 23 | 1 | Pulseroller | - | Label, Warning |
| 24 | 1 | Pulseroller | - | Label, 480V |
| 25 | 1 | Pulseroller | - | Label, MDR Power |
| 26 | 8 | FerrulesDirect | AW40009 | 12 AWG (9mm Pin) Insulated Ferrules - Gray |
| 27 | 5 | FerrulesDirect | AW60010 | 10 AWG (10mm Pin) Insulated Ferrules - Black |
| 28 | 2 | FerrulesDirect | TW60014 | 2x10 AWG (14mm Pin) Twin Wire Ferrules - Black |



| | | | | | | |
|------|------|-------------|---|---|--|--|
| REV. | DATE | DESCRIPTION | ✓ | THE INFORMATION CONTAINED HEREIN IS CONFIDENTIAL, IS SUBMITTED IN CONFIDENCE, AND IS PROPRIETARY INFORMATION OF PULSEROLLER AND SHALL BE USED ONLY IN CONJUNCTION WITH AND PERFORMANCE OF THE CONTRACT OF WHICH THIS DRAWING FORMS A PART, AND SHALL NOT, WITHOUT PULSEROLLER PRIOR WRITTEN APPROVAL, BE REPRODUCED OR IN ANY OTHER WAY USED IN WHOLE OR IN PART BY OTHERS. | DATE: 26-APR-2020 DESIGNED BY: JPK CHECKED BY: SCALE: NONE SHEET: 4 OF 7 | TITLE: BILL OF MATERIAL PART NUMBER IN-P-DIS-PS-40-480 FOR: MDR POWER ASSEMBLIES PULSEROLLER STANDARDS DWG. NO: IN-P-DIS-PS-40-480 REV: |
|------|------|-------------|---|---|--|--|



ALL WIRES CONNECTING TO DEVICES EXCEPT
TERMINAL BLOCKS REQUIRE CRIMPED ON FERRULES

ALL 12 AWG WIRES USE ITEM **26** TYPICAL 8 PLACES

ALL 10 AWG WIRES USE ITEM **27** TYPICAL 5 PLACES

XX INDICATES REF ON BOM
IN-P-DIS-PS-40-480 ON
SHEET 4 OF 7

WEB: WWW.PULSEROLLER.COM
SUPPORT: SUPPORT@PULSEROLLER.COM
SALES: SALES@PULSEROLLER.COM

WIRING NOTE:
ALL PANEL WIRING TO BE MTW. GAUGE & COLOR AS NOTED.

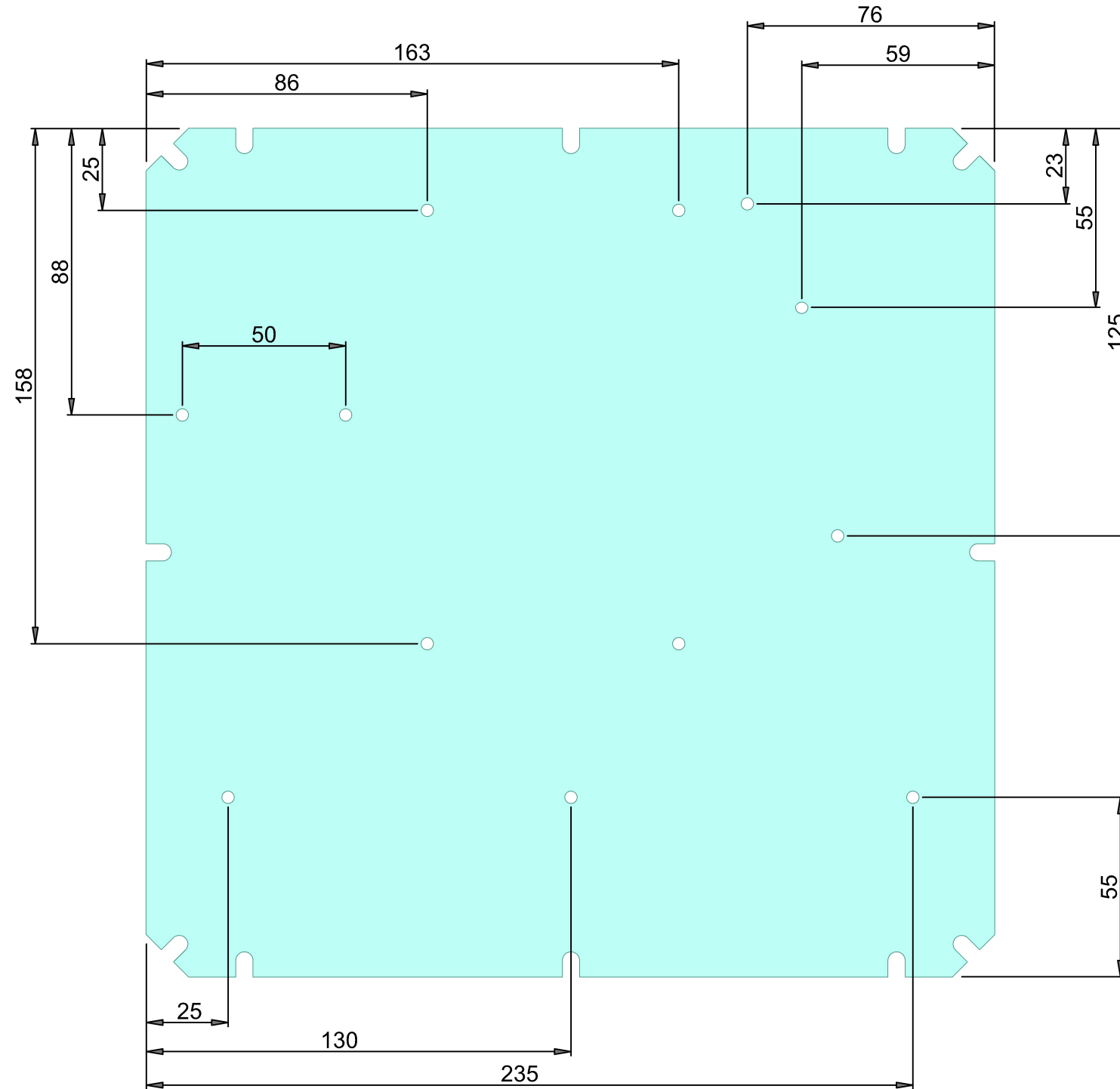
- DENOTES TERMINAL BLOCK AND STRIP IN PANEL OR J-BOX
- DENOTES TERMINATION ON FIELD OR PANEL DEVICE
- DENOTES FIELD WIRING AND/OR DEVICES

| REV. | DATE | DESCRIPTION |
|------|------|-------------|
| | | |
| | | |
| | | |
| | | |

THE INFORMATION CONTAINED HEREIN IS CONFIDENTIAL, IS SUBMITTED IN CONFIDENCE, AND IS PROPRIETARY INFORMATION OF PULSEROLLER AND SHALL BE USED ONLY IN CONJUNCTION WITH AND PERFORMANCE OF THE CONTRACT OF WHICH THIS DRAWING FORMS A PART, AND SHALL NOT, WITHOUT PULSEROLLER PRIOR WRITTEN APPROVAL, BE REPRODUCED OR IN ANY OTHER WAY USED IN WHOLE OR IN PART BY OTHERS.

DATE: 26-APR-2020
DESIGNED BY: JPK
CHECKED BY:
SCALE: NONE
SHEET: 5 OF 7

| | |
|----------|--|
| TITLE: | WIRING DIAGRAM PART NUMBER IN-P-DIS-PS-40-480 |
| FOR: | MDR POWER ASSEMBLIES PULSEROLLER STANDARDS |
| DWG. NO: | IN-P-DIS-PS-40-480 |
| REV: | |



DRILL INSTRUCTIONS

ALL HOLES DRILL AND TAP FOR EITHER #8-32 (IMPERIAL) OR M4X.7 (METRIC)

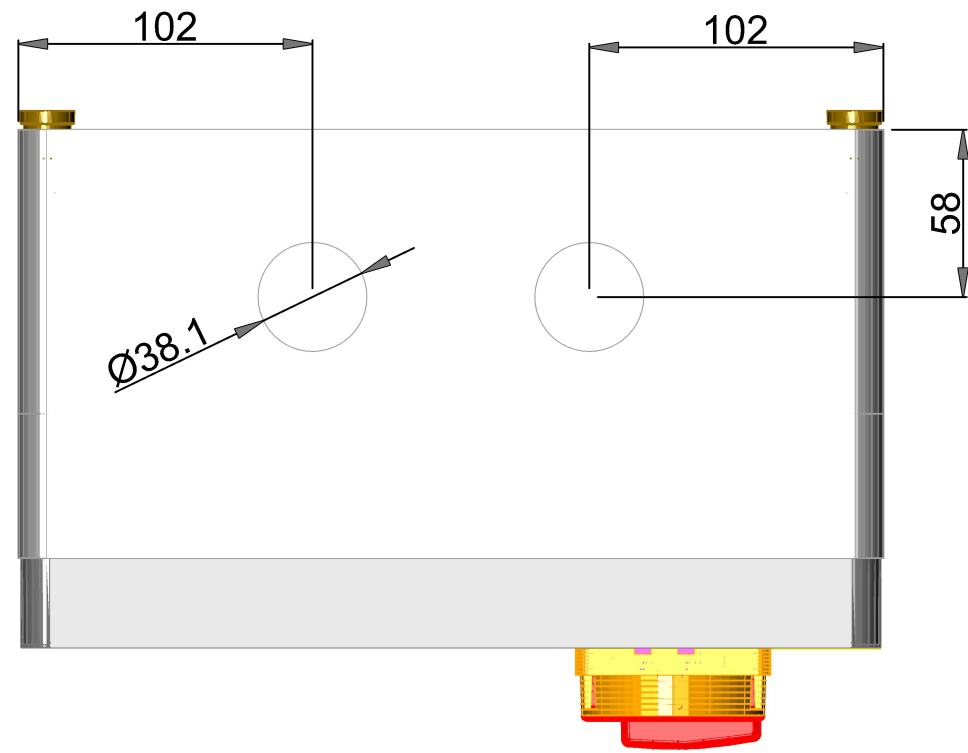
USE 3/8" (IMPERIAL) OR 10MM (METRIC) LENGTH MACHINE SCREWS

TYPICAL 12 PLACES

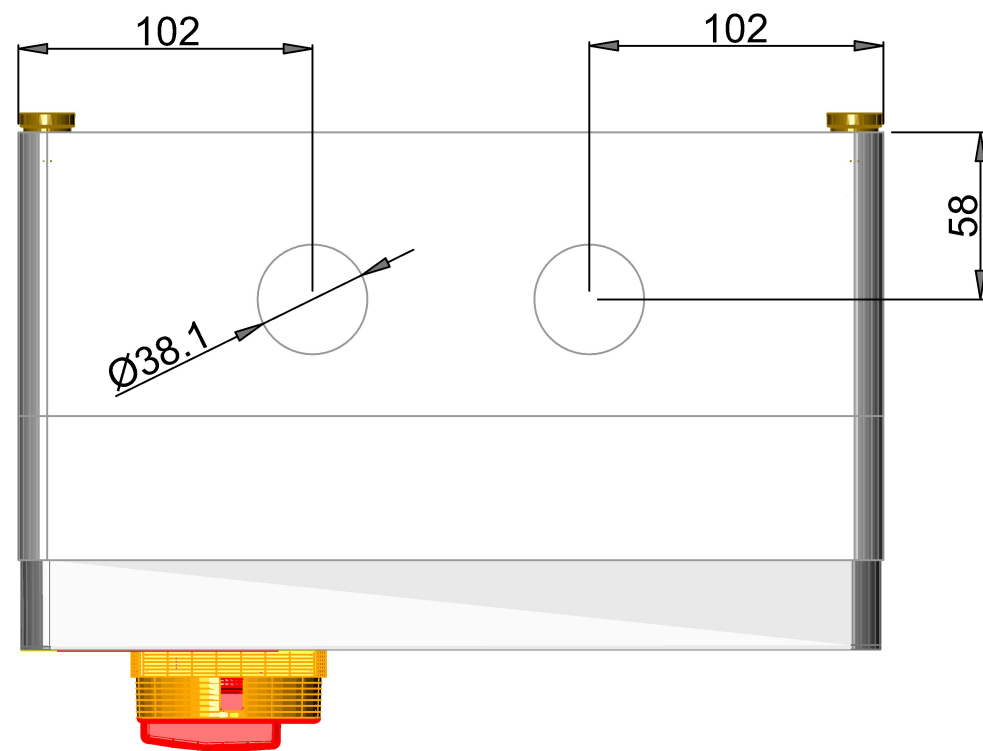


| | | | | | | |
|------|------|-------------|--|--|-------------------|---------------------------------------|
| | | | | | DATE: 26-APR-2020 | TITLE: SUBPANEL DRILL AND TAP DETAILS |
| | | | | | DESIGNED BY: JPK | PART NUMBER IN-P-DIS-PS-40-480 |
| | | | | | CHECKED BY: | FOR: MDR POWER ASSEMBLIES |
| | | | | | SCALE: NONE | PULSEROLLER STANDARDS |
| | | | | | SHEET: 6 OF 7 | DWG. NO: IN-P-DIS-PS-40-480 |
| REV. | DATE | DESCRIPTION | | | | REV: |

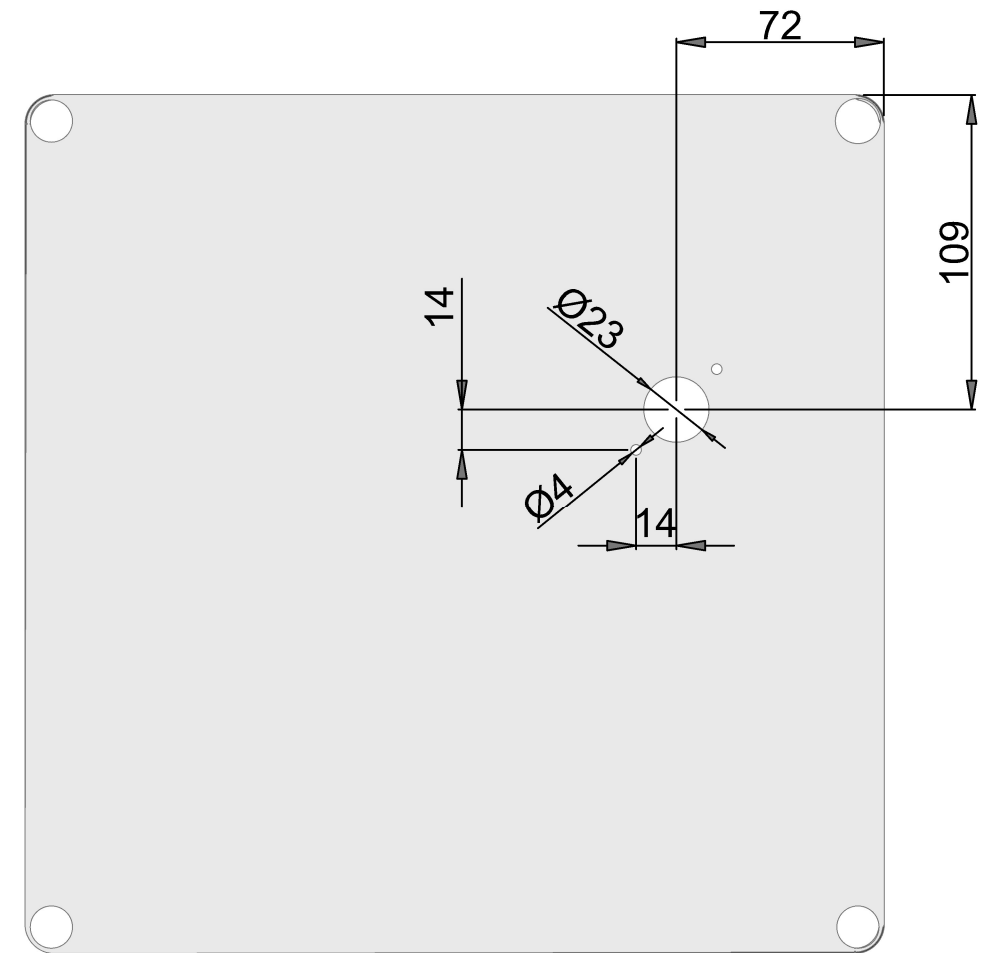
THE INFORMATION CONTAINED HEREIN IS CONFIDENTIAL, IS SUBMITTED IN CONFIDENCE, AND IS PROPRIETARY INFORMATION OF PULSEROLLER AND SHALL BE USED ONLY IN CONJUNCTION WITH AND PERFORMANCE OF THE CONTRACT OF WHICH THIS DRAWING FORMS A PART, AND SHALL NOT, WITHOUT PULSEROLLER PRIOR WRITTEN APPROVAL, BE REPRODUCED OR IN ANY OTHER WAY USED IN WHOLE OR IN PART BY OTHERS.



ENCLOSURE VENT HOLES - TOP VIEW



ENCLOSURE VENT HOLES - BOTTOM VIEW



REMOVABLE COVER - FRONT VIEW

ALL HOLES THRU DRILLED AND DE-BURRED



| | | | | | | |
|------|------|-------------|---|---|--|---|
| REV. | DATE | DESCRIPTION | ✓ | THE INFORMATION CONTAINED HEREIN IS CONFIDENTIAL, IS SUBMITTED IN CONFIDENCE, AND IS PROPRIETARY INFORMATION OF PULSEROLLER AND SHALL BE USED ONLY IN CONJUNCTION WITH AND PERFORMANCE OF THE CONTRACT OF WHICH THIS DRAWING FORMS A PART, AND SHALL NOT, WITHOUT PULSEROLLER PRIOR WRITTEN APPROVAL, BE REPRODUCED OR IN ANY OTHER WAY USED IN WHOLE OR IN PART BY OTHERS. | DATE: 26-APR-2020 DESIGNED BY: JPK CHECKED BY: SCALE: NONE SHEET: 7 OF 7 | TITLE: ENCLOSURE & COVER DRILL DETAILS PART NUMBER IN-P-DIS-PS-40-480 FOR: MDR POWER ASSEMBLIES PULSEROLLER STANDARDS DWG. NO: IN-P-DIS-PS-40-480 REV: |
|------|------|-------------|---|---|--|---|